

## Welding and Grinding table

### Source capture fume extraction

---



The industrial welding and grinding table for extracting fumes, dust and particles from welding and grinding operations. It can also be used in explosive environments, if grounded accordingly. The table is not suitable for cutting. The table can be used to suspend the welding torch when not in use.

Underneath the working area a dust drawer takes care of the heavy dust. The drawer can easily be emptied from the front of the table. The duct connection for the external fan is located on top of the table and it is recommendable to use a filter device between the table and the fan.

- 
- Easy to install
  - Sturdy industrial design
  - Flexible in terms of installation possibilities

Product name	Welding and Grinding table
Installation	Indoor
Material	Sheet metal
Material recycling (% weight)	100
Arm length (m)	
Colour	Blue
Note	Max. distributed load on the table: 500 Kg NOTE! Welding and Grinding Table is to be securely anchored to the foundation.

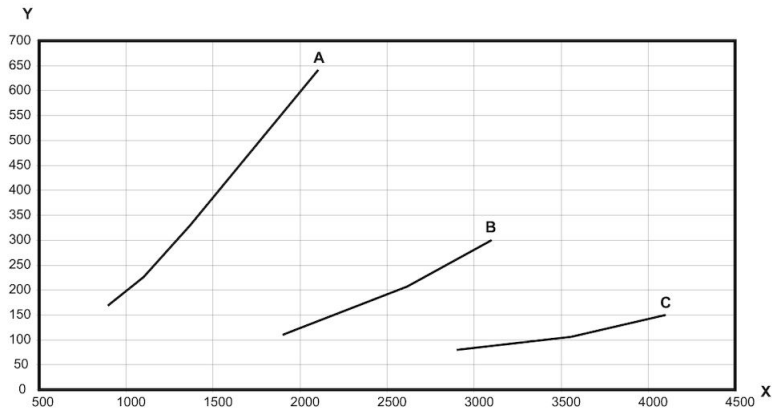


## Welding and Grinding table

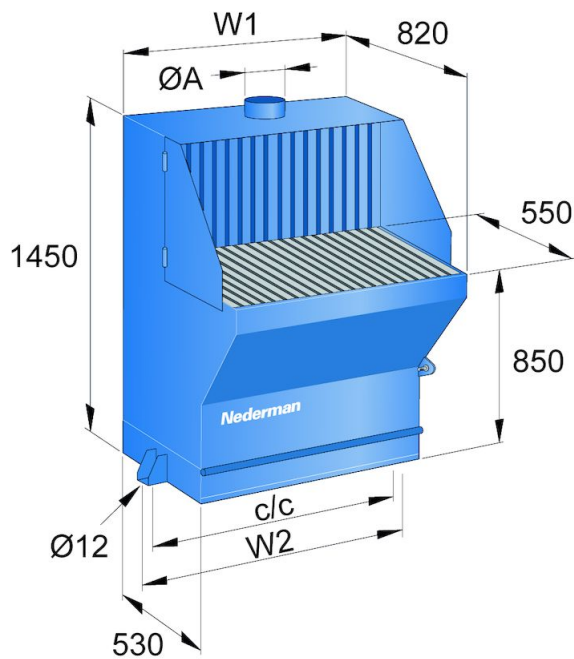
Description	Weight (kg)	Model
Welding and grinding table 900 mm	175	10500133*
Welding and grinding table 1350 mm	260	10500233*
Welding and grinding table 2000 mm	360	10500333*

*\*Max. distributed load on the table: 500 Kg  
NOTE! Welding and Grinding Table is to be  
securely anchored to the foundation.*

## Welding and Grinding table



X: Airflow, m<sup>3</sup>/h, Y: Static pressure (Pa), A=900, B=1350, C=2000



	W1	W2	c/c	ØA
table 900	900	1000	970	160
table 1350	1355	1455	1425	250
table 2000	2000	2100	2070	2x250